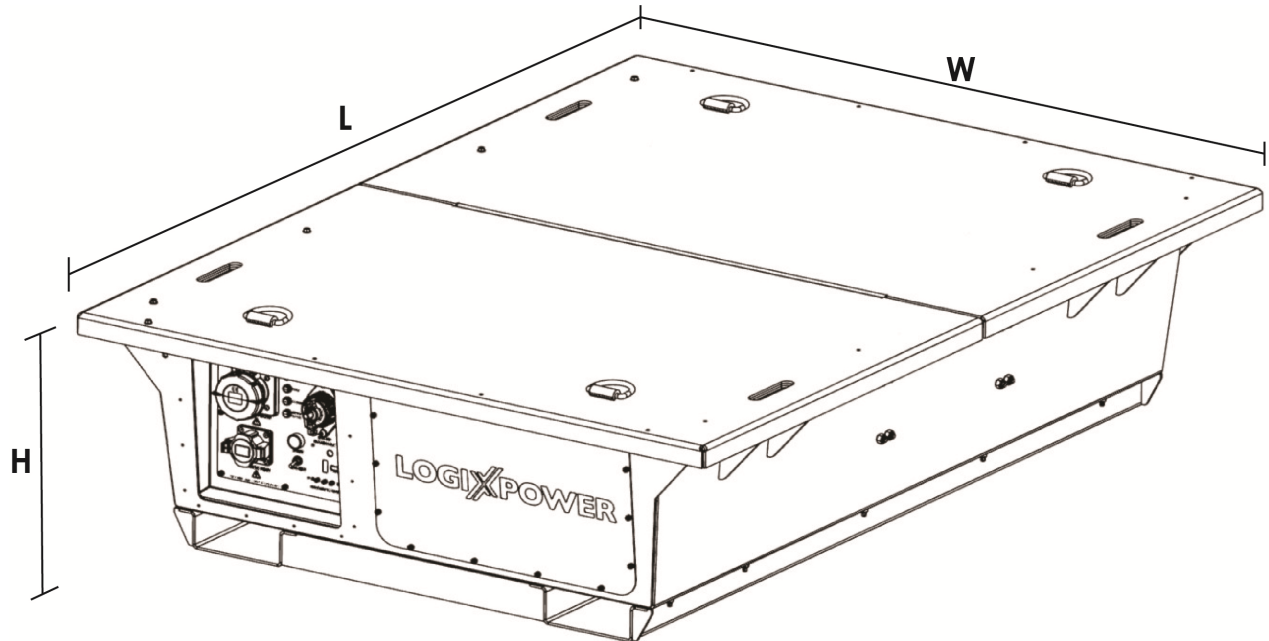


Technical Specifications



LX1BA

Weight	1,350 lbs
Size (W X L X H)	52.8 X 70.6 X 18.2 in. (134.2 X 179.3 X 46.3 cm)
Rated output	
Voltage	360—480 VAC @ 3-phase
Frequency	50-60 Hz
Current	30 A
Charging input	
Voltage	90—240 VAC @ 1-phase
Frequency	50-60 Hz
Current	32 A
Charge time	< 7 hrs @ 208 VAC
Software	LX Connect™